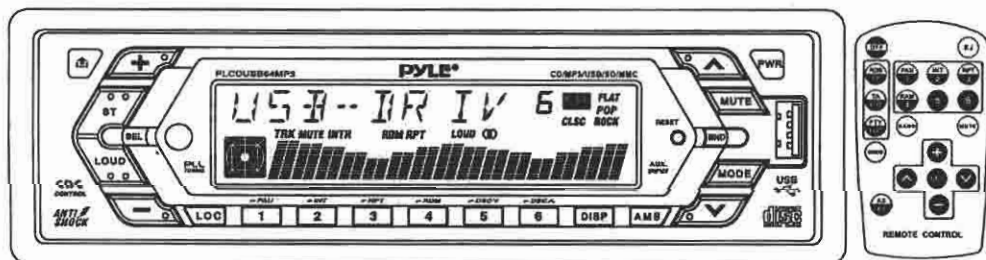


OWNER'S MANUAL

PYLE®

MOTORIZED SLIDE DOWN DETACHABLE PANEL
FM/AM BAND RADIO RECEIVER
ELECTRONIC ANTI-SHOCK CD / MP3 PLAYER
CD CHANGER / AUXILIARY INPUT CONTROL
USB HOST DRIVE ON FRONT PANEL
ELECTRONIC AUDIO CONTROL
REMOTE CONTROL
SD/MMC CARD SLOT

MODEL: **PLCDUSB64MP3**



LOCATION OF CONTROLS

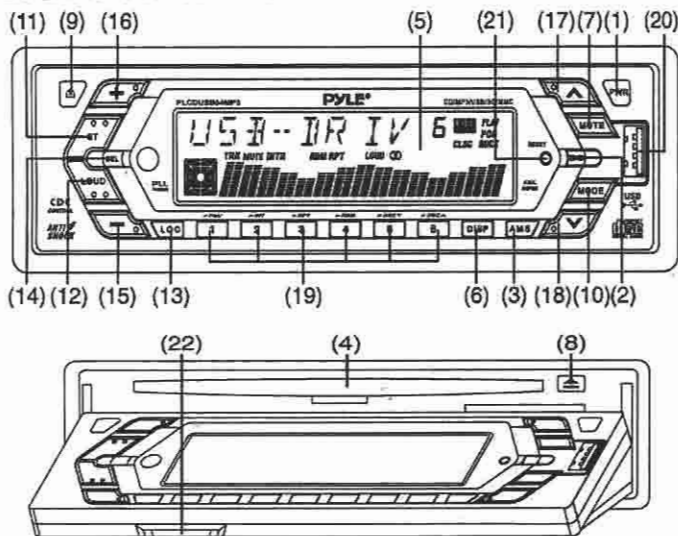
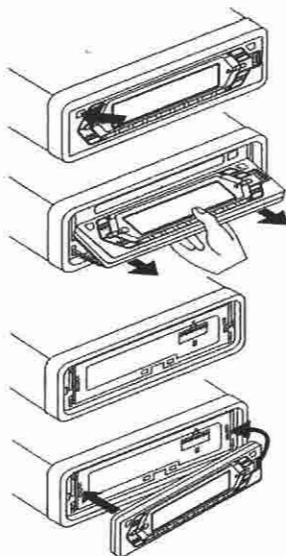


FIGURE A



REMARK :

AT ANY TIME, IF THE WIRE IS DISCONNECTED, THE RESET BUTTON MUST BE PRESSED AGAIN BEFORE OPERATE THE RADIO (REFER TO PAGE 4 FOR DETAIL). OTHERWISE, THE RADIO MAY NOT WORK PROPERLY.

OPERATING INSTRUCTIONS

1. POWER ON/OFF CONTROL

Press the button to turn the power "ON" or "OFF".

Note : The unit can be turn on by pressing any keys on the panel (except open/close button & disc eject button). It will help the user who cannot find the power button in dark.

2. BAND SELECTOR

Each time this button is pressed, the radio band is changed. The indication "FM1", "FM2", "FM3", "MW1" or "MW2" will appear on the display according to your selection.

3. PRE-SCAN/AUTO-STORE BUTTON

This button allows you to enjoy "Preset Memory Scan" function by pushing it shortly, and "Auto-Store Memory" function by pushing it more than 2 seconds.

- PS (PRESET MEMORY SCAN) - It calls the memorized station frequencies (from 1-6) automatically every 5 seconds.
- AS (AUTO-STORE MEMORY) - It searches all station frequencies upward and memorize automatically 6 stations by catching the frequency which has scan-stop level, the memorized station is shown on LCD as "1" to "6". After memorizing, auto-store memory function will be changed to "Preset Memory Scan" function automatically.

4. DISC SLOT

Holding the disc and insert into the disc slot. The disc mechanism will automatically engage into CD/MP3 play mode.

5. LCD DIGITAL DISPLAY

The unit utilizes a digital type display which shows numerical indication of station FREQUENCY and other FUNCTIONS.

6. DISPLAY CONTROL

This button serves to show available information as following:

- Time
- Track No. / Playing Time (during CD and MP3 mode)

SETTING CLOCK TIME MANUALLY

- Briefly press "DISP" button until clock time appear on the display.
- Press and hold the button until the clock flash and release "DISP" button.
- While clock is flashing, press "+" button to set HOUR and press "-" button to set MINUTE.

7. MUTE CONTROL

Press the button to mute volume control and "MUTE ON" will appear on the display.

8. EJECT BUTTON

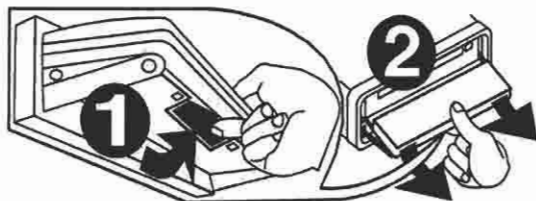
Press the button to eject the disc inside disc slot.

9. OPEN/CLOSE BUTTON / DETACHING PANEL BUTTON (FIGURE A)

* Press this button to show the disc slot in the main panel. Then, press once to close the disc slot.

* To detach the front panel, press this button so that the panel slide down from vertical to horizontal position.

Use thumb hold near the preset button between 3 and 4, and use other finger to hold the corrugated release button (1) at the back of the front panel while pulling (2). After the panel is released, the slide down metal frame will automatically move backward until it locks to the original position.



* To re-attach the panel, put the front panel to the slide down metal frame by clipping it into place.

10. MODE SELECTION

Press this button to select Radio (TUNER), CD/MP3 (S-CDP), USB Input For MP3 (USB-DRIV), CD Changer Control (CD-C), Auxiliary Input (AUX) or MMC/SD card Input (MEM-CARD) mode.

11. STEREO/MONO CONTROL

Press this button to select "STEREO" or "MONO" reception.

12. LOUD CONTROL

Press this button to activate the loudness circuitry which compensates for loss of high and low frequencies during low volume levels.

13. LOCAL/DISTANT SELECTOR

Press this button to prevent strong local stations from overlapping weaker stations. For normal operation, press this button again for distance "DX".

14. AUDIO/SETTING SELECT

Briefly press the button to select volume, bass, treble, balance or fader adjustment in cyclical mode. When pressing the button for more than 2 seconds, it activates as unit setting selection in cyclical mode as following. The unit setting can be changed by using either "VOL +" or "VOL -" button. Rotate the button anti-clockwise to decrease, or clockwise to increase volume level.

- DSP OFF / POP M / ROCK M / CLASS M / FLAT M
- ESP 12 / ESP 45 (setting 12 seconds or 45 seconds of electronic anti-shock time for audio CD)
- MULT OFF / MULT ON (not available for this model)
- BEEP ON / BEEP OFF (not available for this model)
- SEEK 1 (tune up/down buttons performs fast tune function) / SEEK 2 (tune up/down buttons performs seek function when pressed more than 1 second)
- COLOR 1 / COLOR 2 (not available for this model)

15/16. AUDIO LEVEL DOWN/UP CONTROL (- Button) / (+ Button)

Press "SEL" button shortly and then pressing "+" or "-" button to adjust level of volume, bass, treble, balance or fader.

- VOLUME - Press the (+) button to increase, or (-) button to decrease volume level.
- BASS - While "BAS" is being displayed, press (+) button to increase or (-) button to decrease the bass level.
- TREBLE - While "TRE" is being displayed, press (+) button to increase or (-) button to decrease the treble level.
- BALANCE - While "BAL" is being displayed, press (+) or (-) button to level balance of speaker right and left.
- FADER - While "FAD" is being displayed, press (+) or (-) button to level fader of speaker front and rear. function when pressed more than 1 second)

17/18. MANUAL UP/DOWN TUNING / TRACK SEEK UP/DOWN CONTROL

On radio mode, press the button will tune one frequency step higher or lower. Pressing the button more than 1 second can performs fast tuning function or auto tuning function.

On CD/MP3/CDC/USB-DRIV/MEM-CARD mode, press this button will locate the beginning of the track being played or will locate the beginning of the next track. When pressing more than 2 seconds, it will move fast forward or fast backward to a specific position.

19. STATION PRESET BUTTON (1-6)

The PRESET BUTTONS on the unit are used to store station frequencies which you may wish to recall. Each preset button can store FM1, FM2, FM3, MW1, MW2 band station frequency. Pressing the button momentarily recalls the station frequency which was memorized. There are 6 preset buttons, giving you capability of storing 18FM / 12MW.

NOTE: When the preset button to be memorized is kept pressed for more than 2 seconds, the receiving station frequency will be stored in the button pressed. After this, the memorized station can be recalled by pressing the button once.

On CD / MP3 / CD-C / USB-DRIV / MEM-CARD Mode

- Preset 1 - press this button to pause the disc / file played.
- Preset 2 - press this button to scan the first 10 seconds of all the tracks on the selected disc / USB drive / MMC or SD Card.
- Preset 3 - press this button to repeat the current track of the disc / USB drive / MMC or SD Card.
- Preset 4 - press this button to play disc / USB drive / MMC or SD Card at random order - Disc shuffle play.
- Preset 5 - press this button to search previous disc numbers (for CD-C Mode only).
 - press this button to search -10 track (for MP3 / USB-DRIV / MEM-CARD Mode only).
- Preset 6 - press this button to search the disc numbers ahead (for CD-C Mode only).
 - press this button to search +10 track (for MP3 / USB-DRIV / MEM-CARD Mode only).

20. USB HOST

The unit is ready to play MP3 songs on an external USB device through the USB host directly on the front panel.

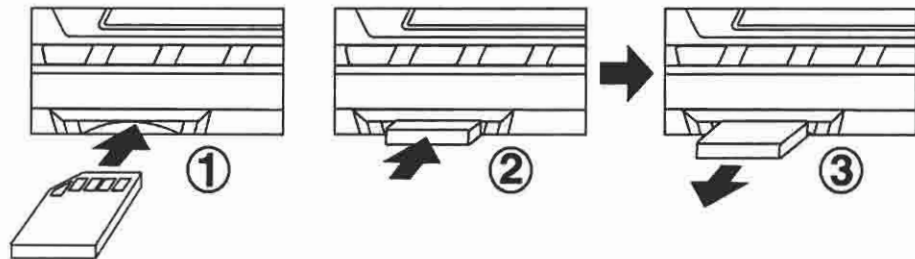
21. RESET BUTTON

This button is located in front of the control panel. It is recessed in order to prevent accidental engagement, and can be activated with the tip of a ball-point pen or any similar pointed object. This reset circuitry is provided in order to protect the unit's microprocessor, and should only be activated under the following conditions :

- a) Initial installation after all wiring is completed.
- b) Abnormal operation is encountered such as numerical indication on display is erratic.
- c) Whenever the reset button is activated, all preset memory content will be erased and must be reprogrammed.

22. MMC/SD CARD SLOT

Holding the MMC or SD card and insert into the slot until you hear the lock sound (Figure 1). The unit will automatically engage into MEM-CARD play mode. If you want to eject the MMC or SD card, just press the card inward (Figure 2) until you hear the unlock sound and then release the MMC or SD card (Figure 3).



INSTRUCTION TO PLAY MP3 SONGS

IMPORTANT NOTES

- The MP3 file recording media acceptable to this unit are CD-R, CD-RW, USB flash memory, MMC or SD memory card.
- The MP3 formats acceptable are limited.
- Do not attempt to play a media containing non-MP3 files or non-MP3 files with MP3 extension. Otherwise, the CD Mechanism/USB Drive/MEM-CARD Drive will not be working properly. If "ERROR" is shown, it is suggested to reset the radio by pressing the reset button.

PLAY ON MP3 SONG

- Insert the media with MP3 song in the disc slot / insert the USB flash memory / insert MMC/SD card slot. The unit will start playing and checks all the files and folder on the media.
- If MP3 files and directories are recognized, the media will start playing.
- The MP3 files and directories are accessed according to the order written by the CD / flash memory / MMC or SD card writer.

TRACK SEARCH

- Press "AMS" button once and "TRK SCH" will be shown on the display.
- Press "SEL" to enter track search mode and "TRK 0001" will appear on the display for you to enter track number.
- Press "+" or "-" to shift number 0-9 in loop rotation.
- Press "SEL" shortly to select the first digit.
- Repeat the same procedure to enter the other digits if required.
- After the track number is selected, press "SEL" button more than 2 seconds to start playing the selected track.
- If track number is not entered within 10 seconds, the unit will continue playing the current file.

FILES SEARCH

- Press "AMS" button twice and "FILE SCH" will be shown on the display
- Press "SEL" to enter file search mode.
- Press "+" or "-" to view the directories.
- After the selected directory is selected, press "+" or "-" to view the files.
- Press "SEL" to play the selected file.
- If directories or files name is not entered within 10 seconds, the unit will continue playing the current file.

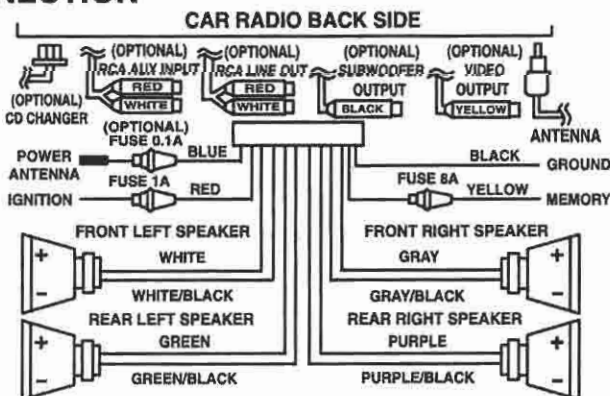
CHARACTER SEARCH

- Press "AMS" button 3 times and "CHAR SCH" will be shown on the display.
- Press "SEL" to enter into character search mode and "A" will appear on the display for you to enter first character.
- Enter whole name of files (maximum 8 characters) by pressing "+" or "-" to shift "A-Z", "0-9" & "⌘" (space) in loop rotation.
- Press "SEL" shortly to select the first character.
- Repeat the same procedure to enter the other characters if required.
- After the whole name of file is entered, press "SEL" button more than 2 seconds to start playing the selected track.

Remark :

- 1) The media must contain directories or files name written by the CD / USB flash memory / MMC or SD card writer in order to use in searching.
- 2) If only partial letters are entered for searching either in directories or files name, you may not get it correctly.

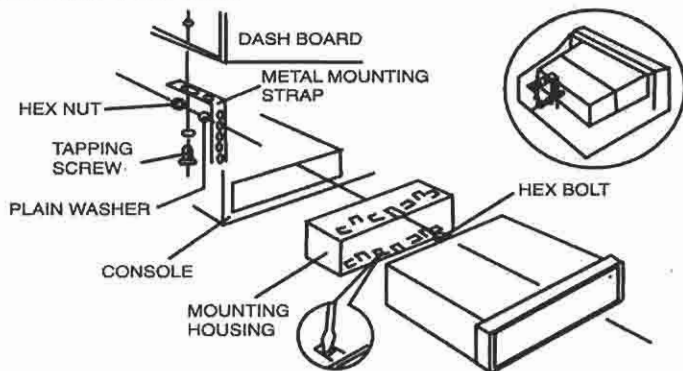
WIRE CONNECTION



CAUTION :

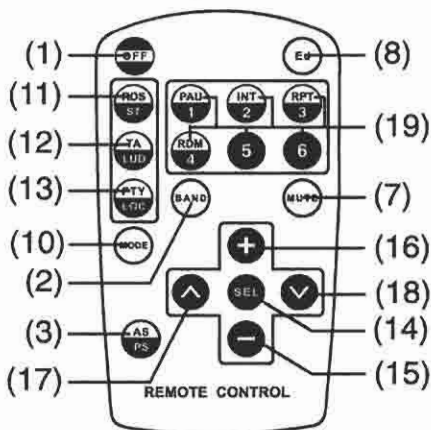
Do not connect the speaker wires to chassis or car body. Each speaker wire cannot be soldered together with other wires. Otherwise, the unit will be damaged and no sound will come out anymore.

INSTALLATION



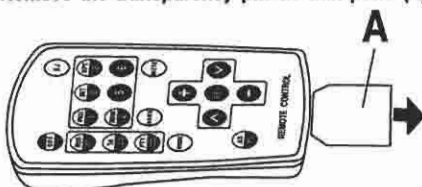
CAUTION : DO NOT PLACE THE UNIT OVER THE MAXIMUM INSTALLATION ANGLE OF 30°. OTHERWISE, THE UNIT MAY NOT WORK PROPERLY.

REMOTE CONTROL



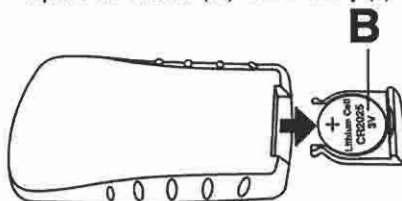
Before you start

Remove the transparency plastic thin plate (A).



Replacing the lithium battery

- Open the cover at the back of the remote control and replace the CR2025 (3V) lithium battery (B).

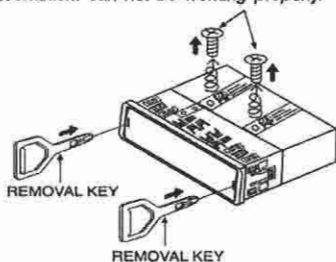


UNIT REMOVAL

1. Remove Front Control Panel.
2. Slightly insert the key into the slot and gently to release.
3. Separate the sleeve from the unit. Keep release key in a safe place as you may need for future removal of unit.

WARNING!!

Due to protection of CD Mechanism, two small screws on the top of the unit must be released before operate the unit. Otherwise, the CD Mechanism can not be working properly.



WARNING

- Do not recharge, disassemble, heat or dispose of the battery in a fire.
- Use a CR2025 (3V) lithium battery only. Never use other types of battery with this unit.
- Do not handle the battery with metallic tools.
- Do not store the lithium battery with metallic materials.
- When disposing of used batteries, please comply with governmental regulations or environmental public institution's rules that apply in your country/area.
- Always check carefully that you are loading the battery with its (+) and (-) poles facing in the proper directions.
- Keep the lithium battery out of the reach of children. Should the battery be swallowed, immediately consult a doctor.